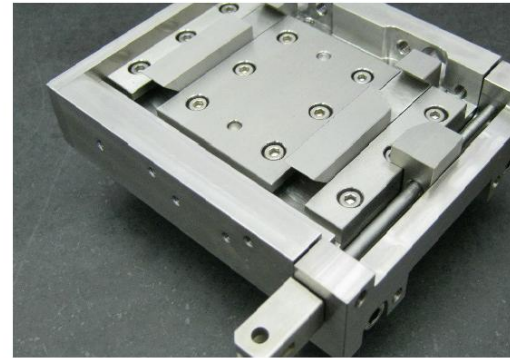




Welding



Engineering



Machining

ENGIOUS

Collaborating
with the best

About Us



Engious LTD. was founded in 2013. The manufacturing was started in the mid of 2014 focusing on high precision miniature mould inserts for industrial connectors. Today we are able to produce extremely complicated inserts with short delivery time.

Since the beginning of mould insert manufacturing to the present day (delivered more than 240 inserts) the company didn't receive any quality complaint.

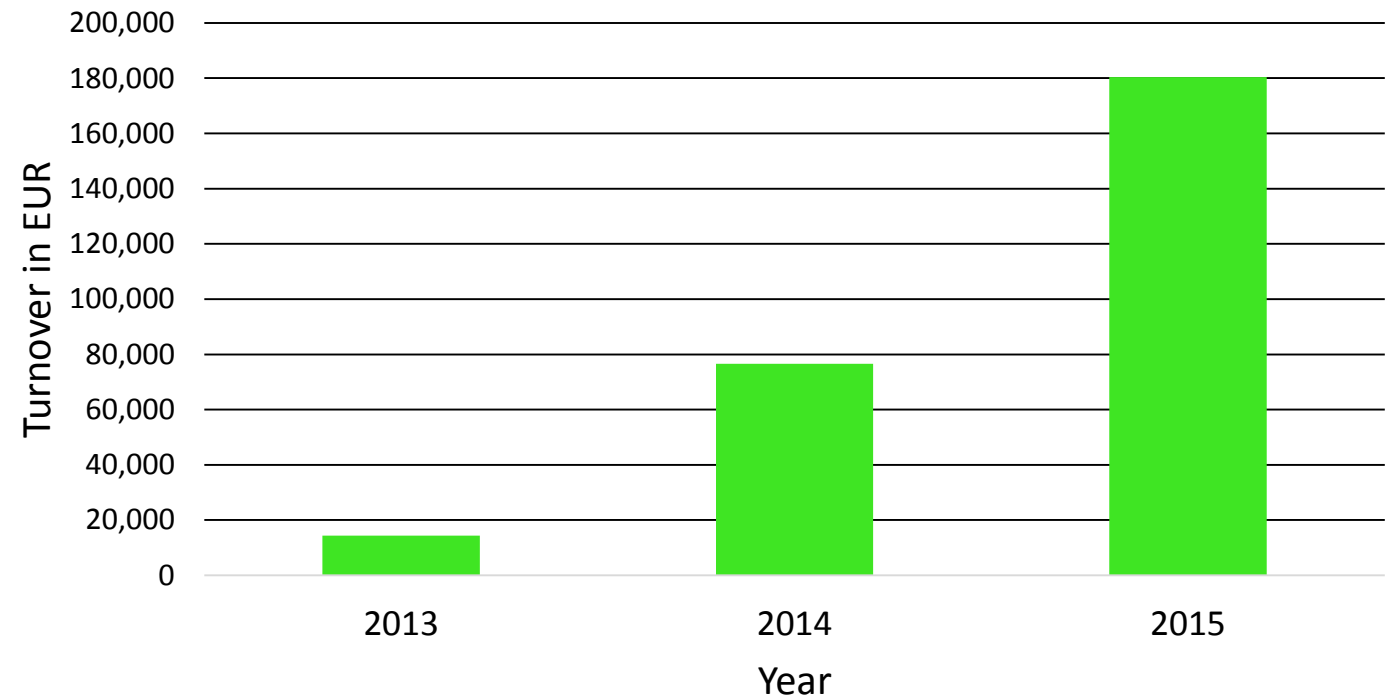
This is possible only by a manufactory like operation and organizational structure. Thanks to the quality delivered the company's turnover and number of employees increases.

All of our employees are highly qualified.

5 people out of 8 have at least bachelor degree in mechanical, electrical or maintenance engineering.

Both of our workhops are air conditioned to 20C+/- 1C ensuring maximum accuracy of manufactured products.

Annual turnover



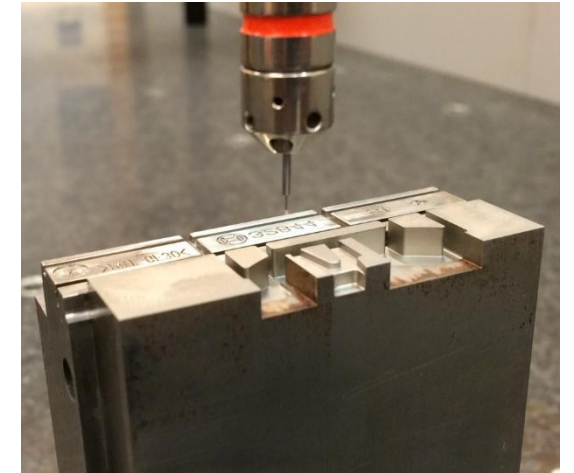
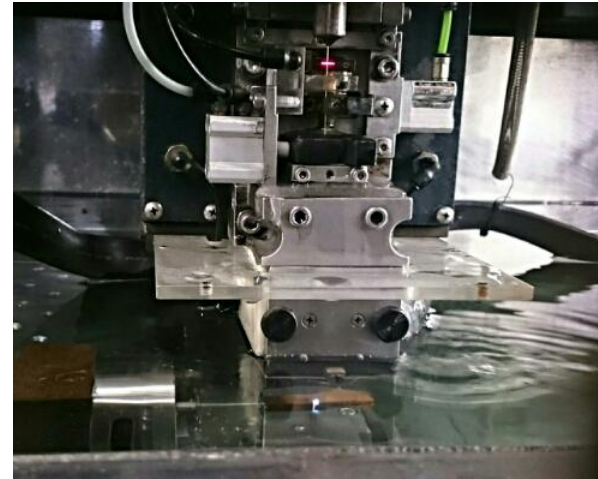
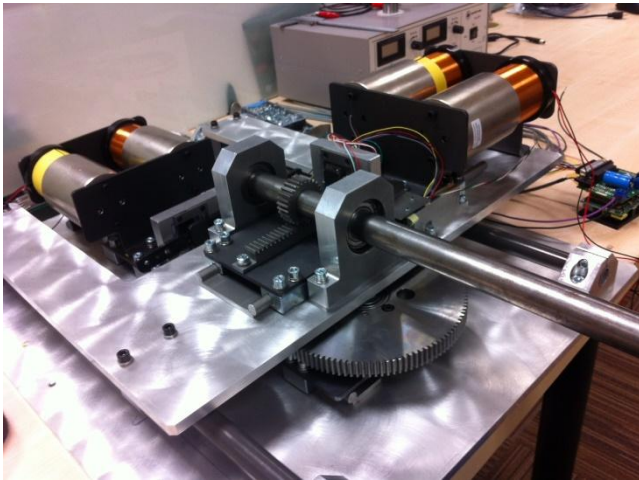
About Us



Thanks to the know how and complex knowledge acquired so far in precision mechanics and manufacturing in 2016 we started a new business area with a focus on high-value added prototype development and manufacturing.

This year We are already delivered several prototypes:

- Miniature laparoscope light source for veterinary use
- Cessna airplane simulator complete steering mechanism
- Force feedback airplane simulator
- Airbus artificial feeling side stick for certificated simulators (patent pending)



Services



- **Mold insert, Mold manufacturing**
- **Mold repair, optimization**
- **Precision mechanics design and manufacturing**
- **Vacuum compatible laser, TIG welding**
- **Prototype production**
- **Series production up to 2000 pieces**
- **Design and manufacturing of JIGs and dedicated machines**
- **Big size production line components, tools design and production**

Subcontracting capacity

- **Wire edm machining** 3600 hours/year
- **Sinker edm machining** 3000 hours/year
- **Surface grinding** 3600 hours/year
- **Machining** 10000 hours/year
- **3D measuring** 3000 hours/year
- **Fine mechanics assembly** 3000 hours/year
- **Mold, forging, stamping tool repair** 5000 hours/year
- **FEA/design validation** 1000 hours/year
- **CAD/CAM** 1900 hours/year

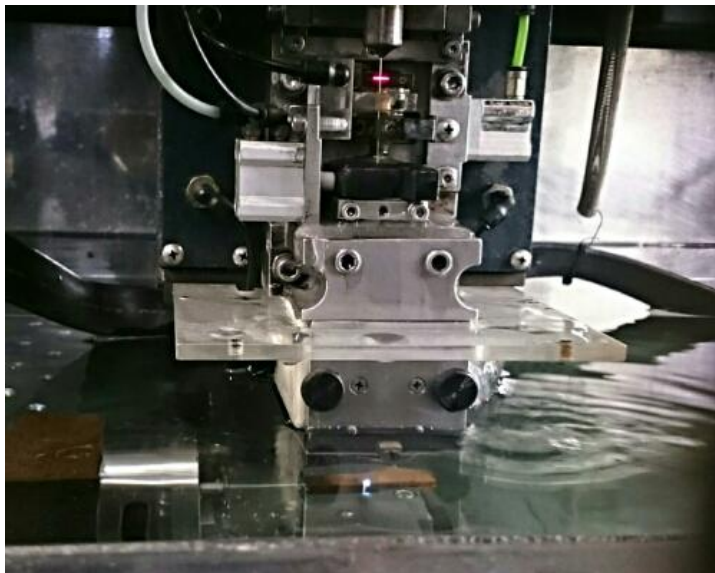
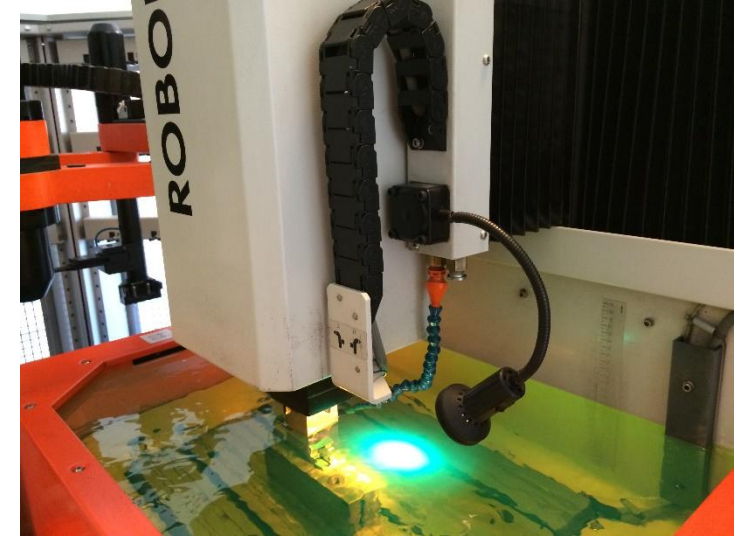
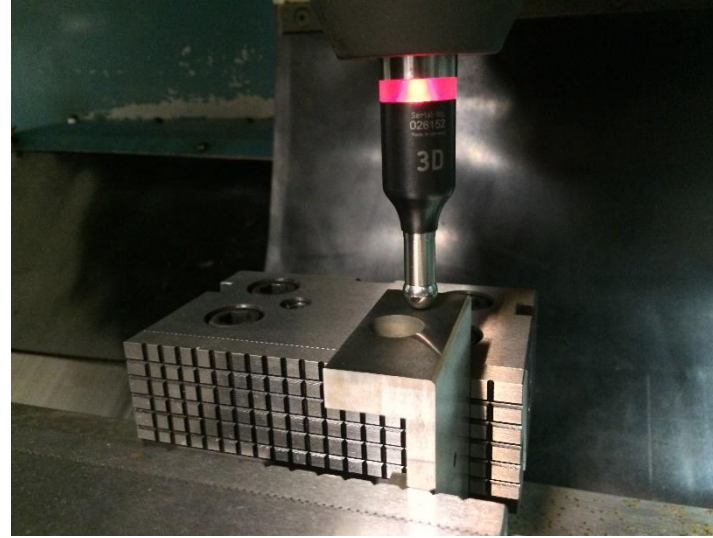
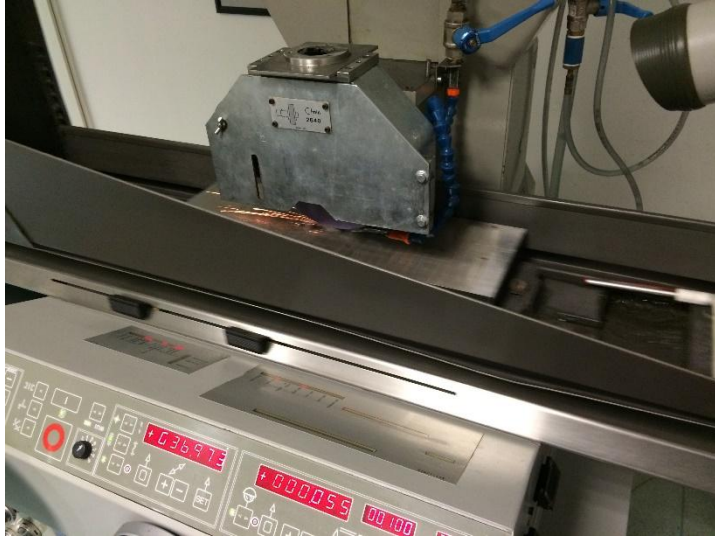
Machines



- **Matsuura MC-800 high precision machining center** **1000x500x500mm**
Maximum weight: 0.8Ton
Machining tolerance (+/-0.005)
- **Makino EU 64 Wire EDM** **800x600x220mm**
Maximum weight: 1.5Ton
Machining tolerance (+/-0.003)
- **Roboform 35 QCRI** **400x300x300mm**
Maximum weight: 0.5Ton
Machining tolerance (+/-0.005)
- **Jones and Shipmann 540X** **400x150x450mm**
Maximum weight: 0.1Ton
Machining tolerance (+/-0.002)

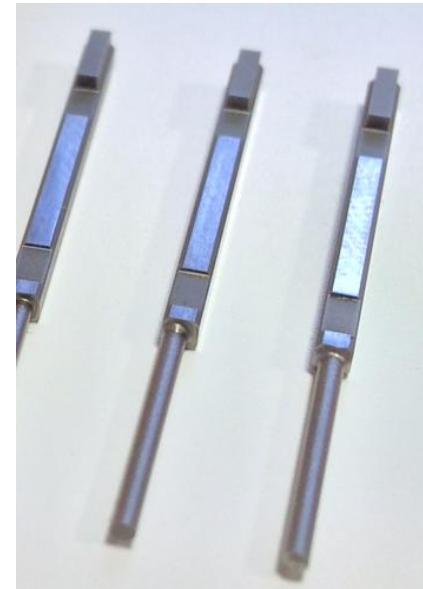
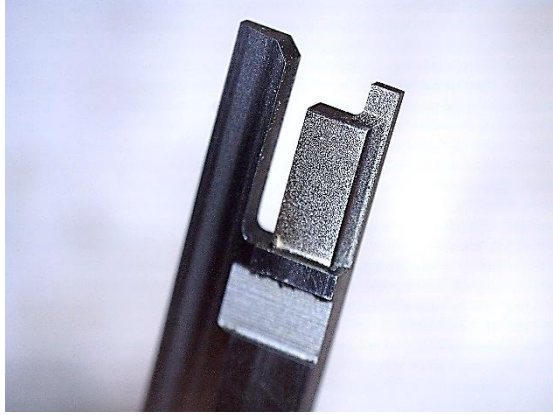
Machines

ENGIOUS



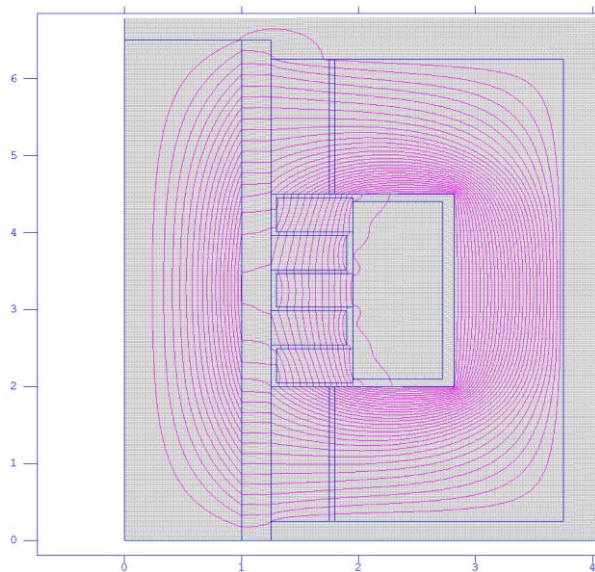
Some of our products

ENGIOUS

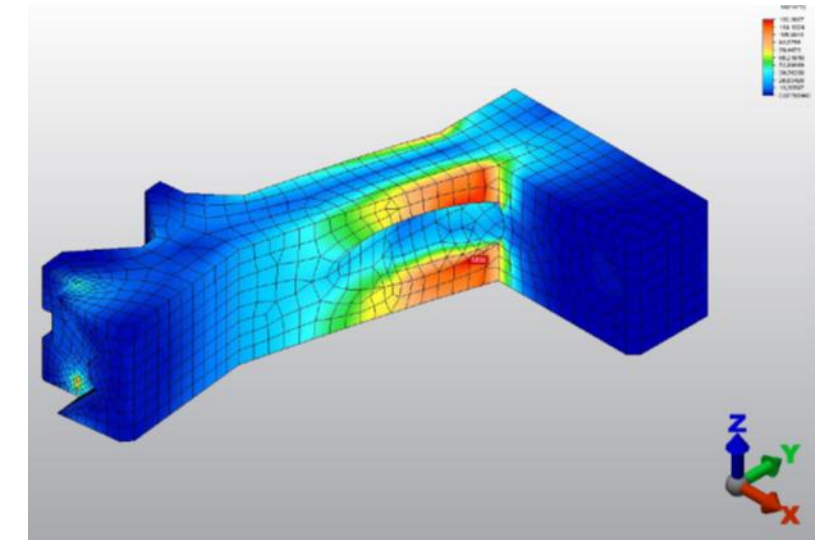
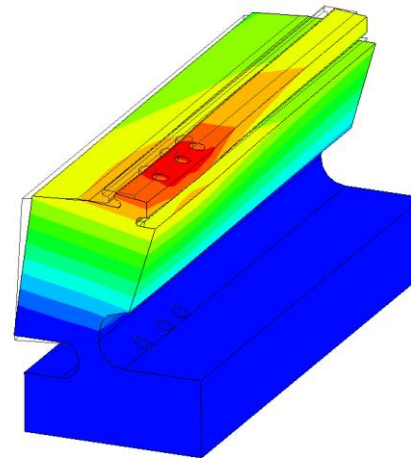
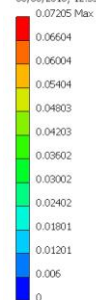


Prototypes/Engineering

We have the capability for product development with short lead time. Simulations, validation and production of prototypes is one of our main activity.

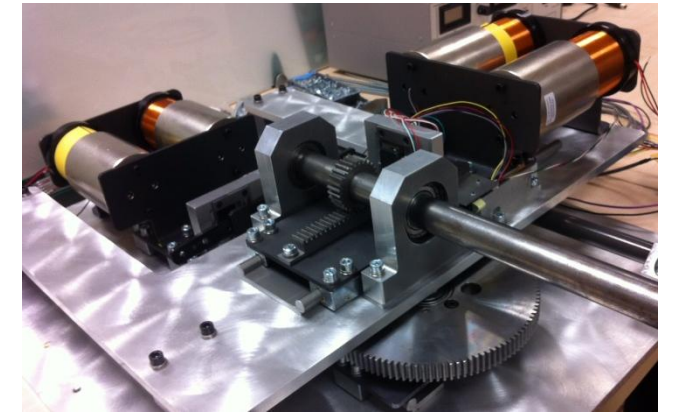
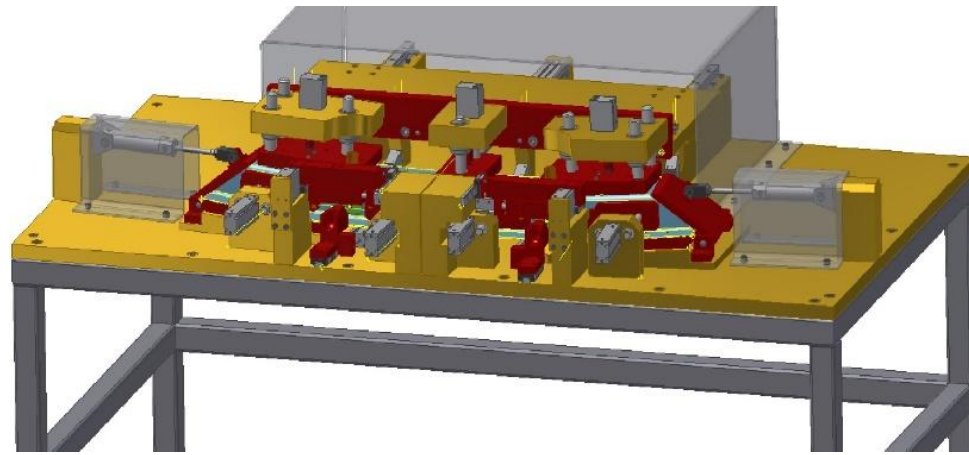
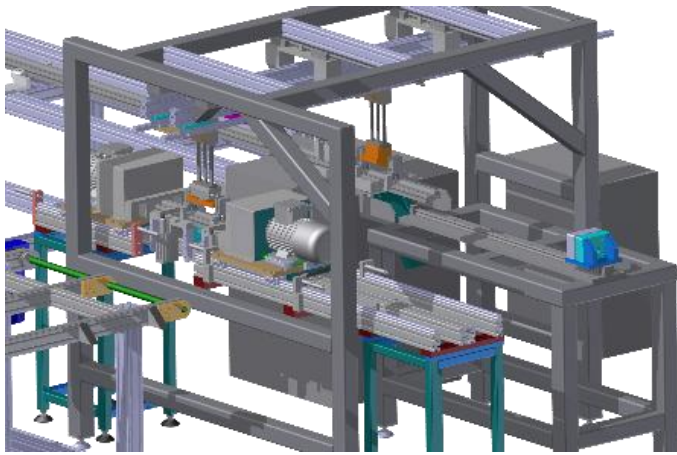
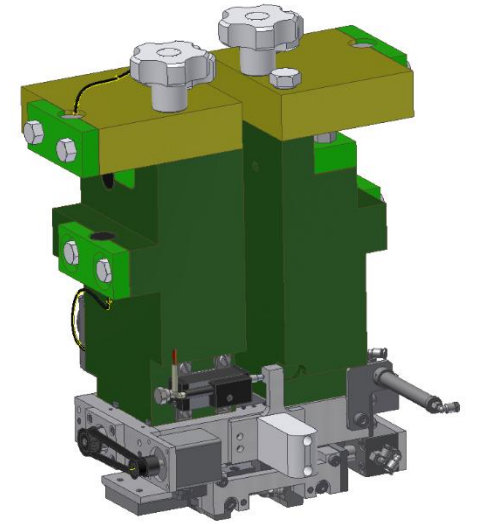
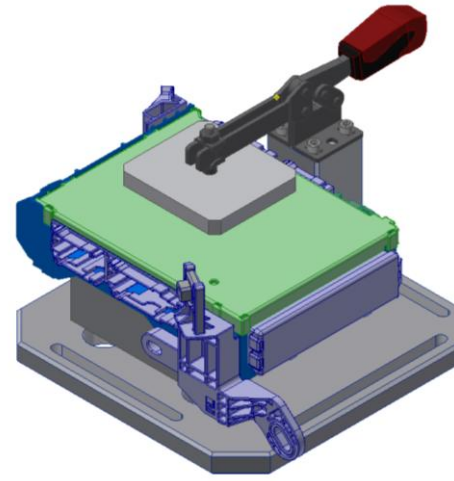
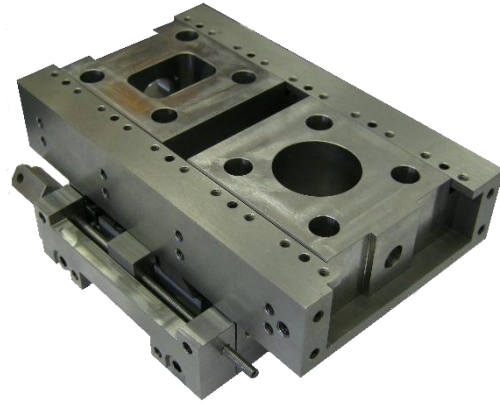
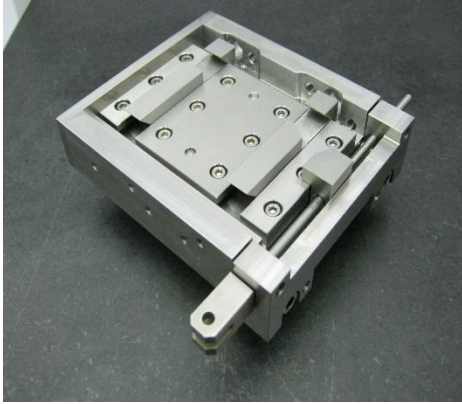


Type: X Displacement
Unit: mm
08/06/2016, 12:33:52



Prototype, JIG

ENGIOUS



Customers

ENGIOUS



PearWilliams

Thomas & Betts

Processed materials

We are able to processing the following materials:

- **High, Low alloy steel up to 65HRC**
- **Aluminium**
- **Titanium**
- **Copper**
- **Ampcoloy**
- **Graphite**
- **Vetronite**
- **Conductive ceramics (EDM, Grinding)**

We can handle pieces from 0,5x0,5x10mm up to 2000x1000x700mm and weight up to 2Tons

New machines in 2016/2017



- **Makino F5 high precision machining center** **1000x500x450mm**
Maximum weight: 1Ton
Machining tolerance (+/-0.005)
- **Matsuura LV500 ultra high precision machining center**
500x350x300mm Maximum weight: 0,1Tons
Machining tolerance (+/-0.001)
- **Matsuura VX1000 machining center** **1200x610x610mm**
Maximum weight: 0,5 Tons
Machining tolerance (+/-0.008)

New machines in 2016/2017

ENGIOUS



New site in 2018

- Total area of 710m²
- Daily temperature change +/- 1C
- Vibration isolated foundation with reinforced concrete (500mm thick)
- 10 Tons overhead crane



Contact



Billing address:

8000 Székesfehérvár, Donát utca 78.

Workshops addresses:

Up to 2000kg (310m²)

8000 Székesfehérvár, Mártírok útja 5.

Up to 1000kg (140m²)

7081 Simontornya Beszédes Ferenc u. 24/B

Engious LTD.

C.E.O: Eszes András

Handy: +36-20-580-4718

Email: andras.eszes@engious.com

info@engious.com

